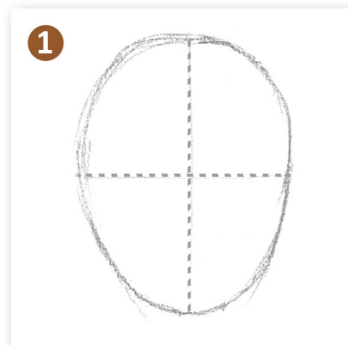
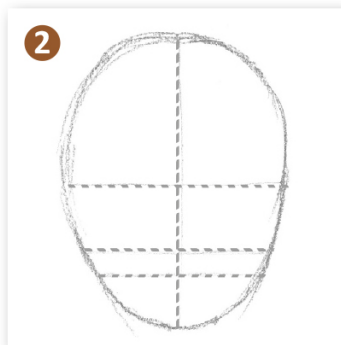


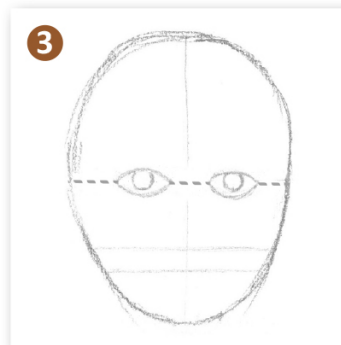
Drawing a portrait



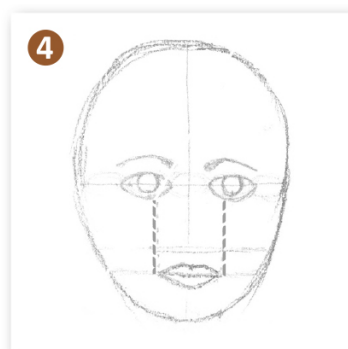
1 Draw an egg shape to represent a head. Sketch a light, vertical guideline down the middle and a light, horizontal guideline across the middle of the head.



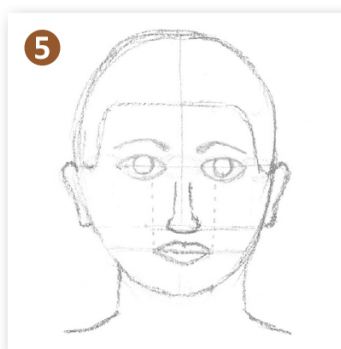
2 Draw another light, horizontal guideline halfway between the first horizontal guideline and the chin. Draw a third horizontal guideline slightly below the second.



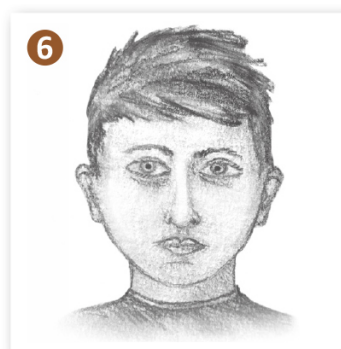
3 Measure the first horizontal guideline and divide it into five equal pieces, using small, light pencil marks. Draw two ovals between the pencil marks to represent eyes, then draw an iris in each eye.



4 Draw a faint line from the inner edge of each iris to the third horizontal guideline. Draw a mouth between the lines, making sure that the middle of the mouth sits on the horizontal guideline.



5 Lightly draw a nose on either side of the vertical guideline. The nose should rest on the second horizontal guideline above the mouth. Draw the ears next. Start slightly above the first horizontal guideline and finish on the second horizontal guideline.



6 Carefully rub out your guidelines. Use a mirror to look at your features, then add eyebrows, hair and extra details to your portrait. Use shading techniques and a variety of drawing pencils to bring your picture to life.